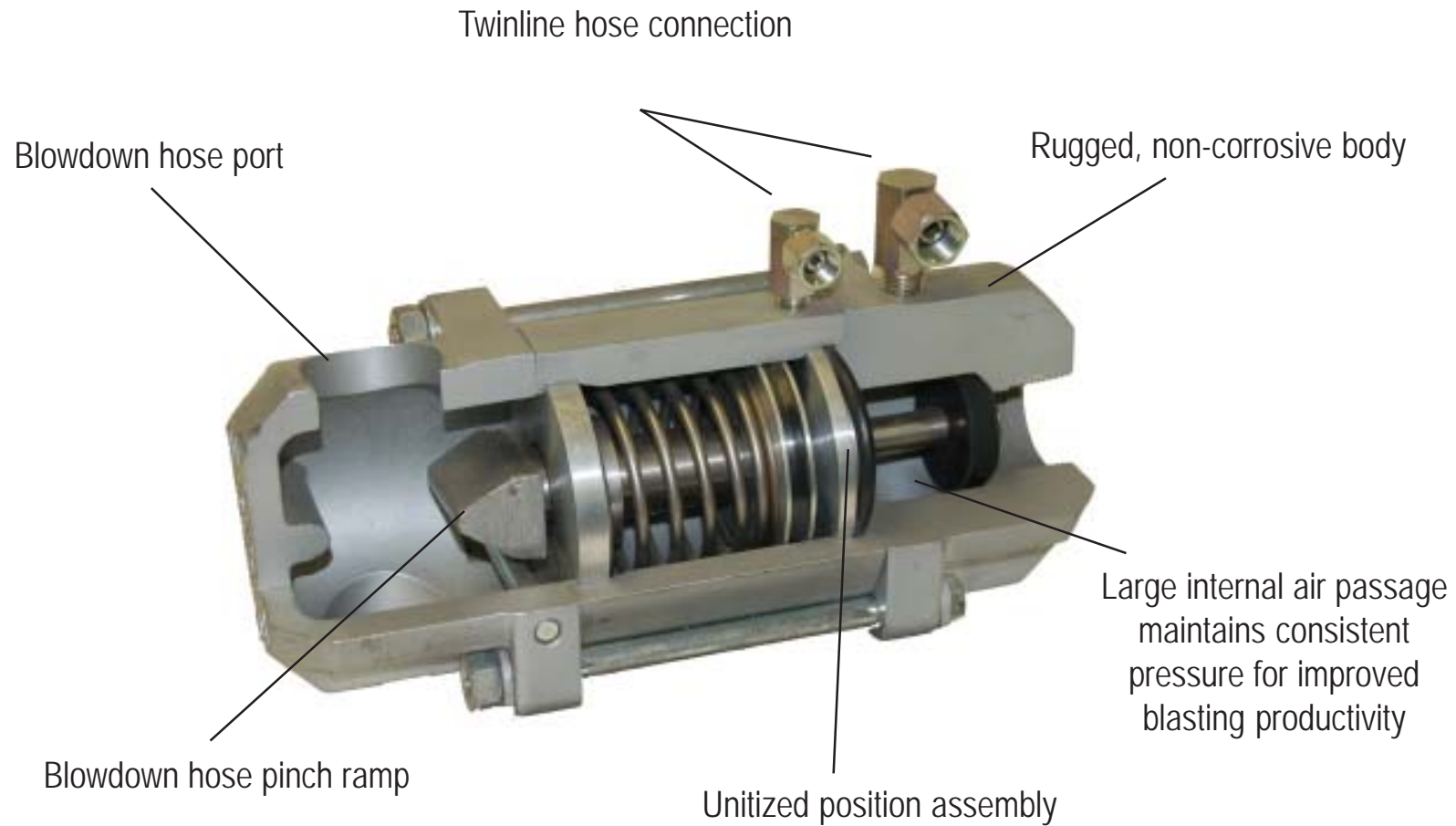


# ComboValve



[www.AxxiomMfg.com](http://www.AxxiomMfg.com)

© 2007 Axxiom Manufacturing Co. Inc.  
Axxiom, MV, MV2, and Microvalve are trademarks and Schmidt, the stylized "S", Combovalve and Thompson Valve are registered trademarks of Axxiom Manufacturing Co. Inc. All rights reserved.

