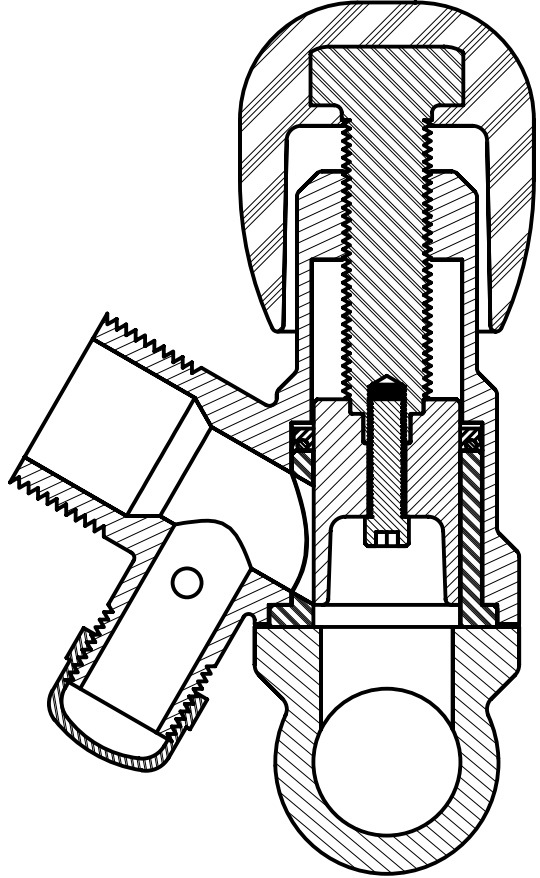
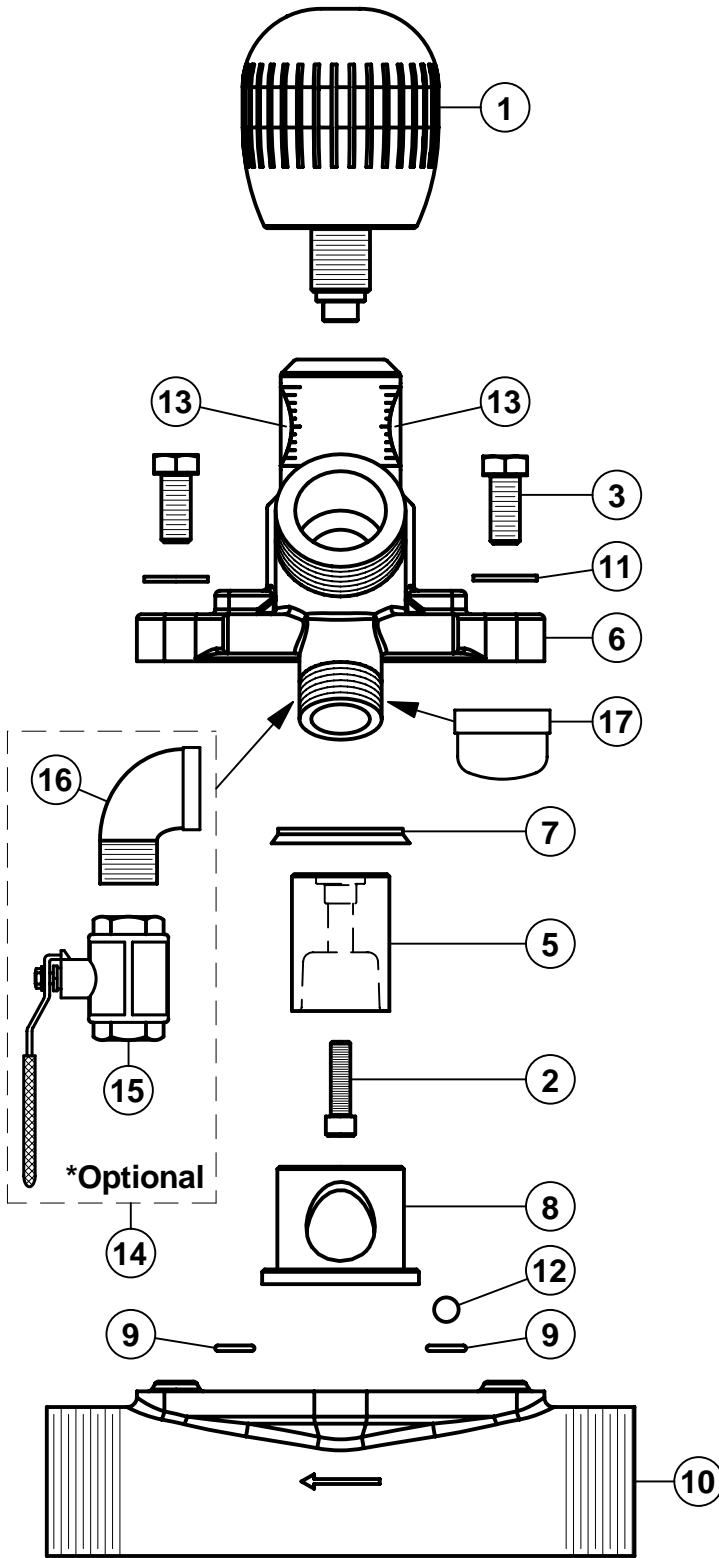


No.	Part No.	Description
	2127-100-98	Replacement Part Kit, Seals Only
	2127-100-99	Replacement Part Kit
1.	2127-000-01	Knob
2.*	7011-005-06O	Socket Head Cap Screw, 5/16" x 1" Lg. Self Sealing
3.	7010-507-06	Hex Bolt, 3/8" x 1" Lg.
5.*	2127-000-05	Plunger
6.	2127-000-06	Body
7.*	+ 2149-500-06	Plunger Seal
8.*	+ 2127-100-08	Polyurethane Sleeve
9.*	+ 2127-000-09	O-Ring
10.	2127-008-10	Base, 1 1/2"
11.	7027-503-02	Flat Washer, 3/8"
12.*	+ 2127-000-12	Ball
13.	2127-000-13	Orifice Indicator Decal
14.	2127-000-14	Cleanout Ball Valve Adder
15.	2401-505	Ball Valve, 3/4" Full Port
16.	3006-105	Street Elbow 90°, 3/4" Galv.
17.	3037-105	Pipe Cap, 3/4" Galv.
* Included In Replacement Part Kit		
+ Included In Replacement Part Kit, Seals Only		



PROPRIETARY INFORMATION

DESIGN INFORMATION CONTAINED HEREIN IS PROPRIETARY AND CONFIDENTIAL AND THE EXCLUSIVE PROPERTY OF AXIOM MANUFACTURING, INC. NO PORTION OF ANY DESIGN INFORMATION CONTAINED HEREIN MAY BE USED BY, OR DISCLOSED TO UNAUTHORIZED PERSONNEL WITHOUT THE EXPRESSED WRITTEN CONSENT OF AXIOM MANUFACTURING, INC.

AXIOM MFG IS THE EXCLUSIVE MANUFACTURER OF SCHMIDT® PRODUCTS

AXIOM MANUFACTURING, INC.

SCALE: N.T.S.

DATE: 7/10/07

APPROVED

BY:

DRAWN BY: JH

REVISED

1 1/2" MV2 WITH POLYURETHANE SLEEVE

REFERENCE NUMBER:

2127-108

PART/DRAWING NUMBER:

2127-108

REV	DESCRIPTION	DATE	BY